


Button B3

Characteristics

Function operate function test
e.g.for alarm button or door open button,etc.

Fixing Clip Fixing

Faceplate thickness 1.3mm

Connection technology 

Switching element snap switch 1NO connect ,1 alternating contact
Switching Voltage =30 VDC
Switching current=0.8Aohmic load
Switching current=0.5Ainductive load,(L/R=3ms)
Swithcing voltage=50VAC
Switching current=1A



fb=remotely operated

Coil US1 US2= 24VDC

Power consumption

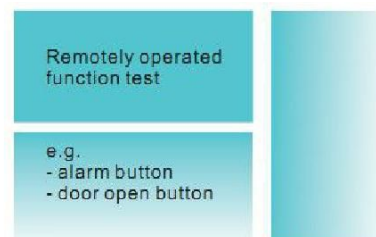
With remote operation Max.<250mA

Keying time for

Remote operation Max.4 seconds

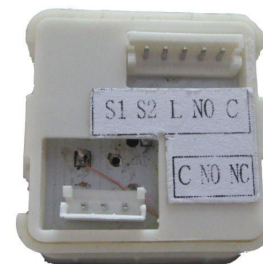
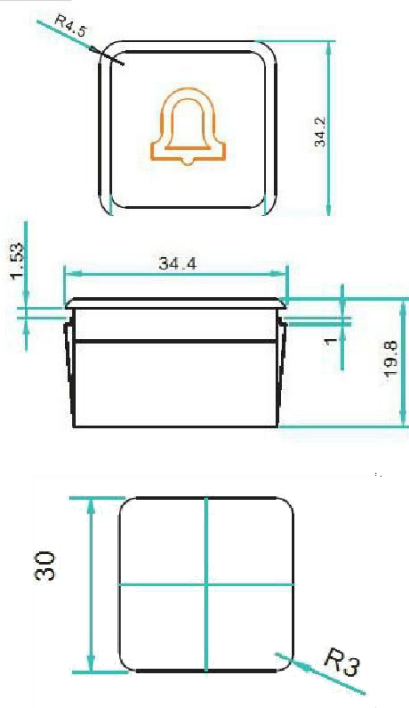
Stroke 0.5-0.8mm

Recall light



Rear View

Dimensions



Wiring Diagram

